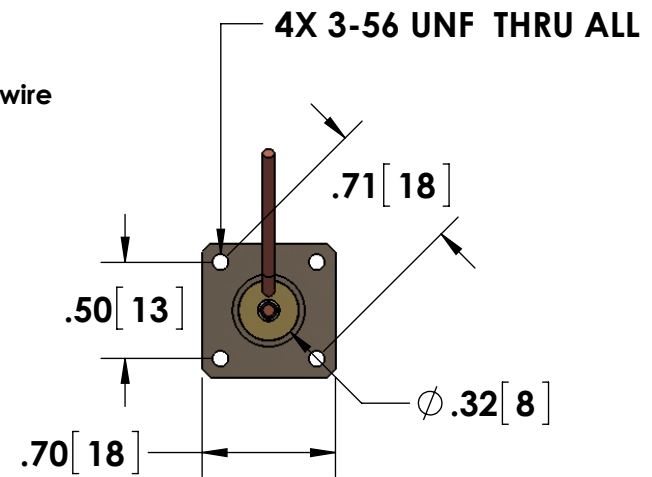
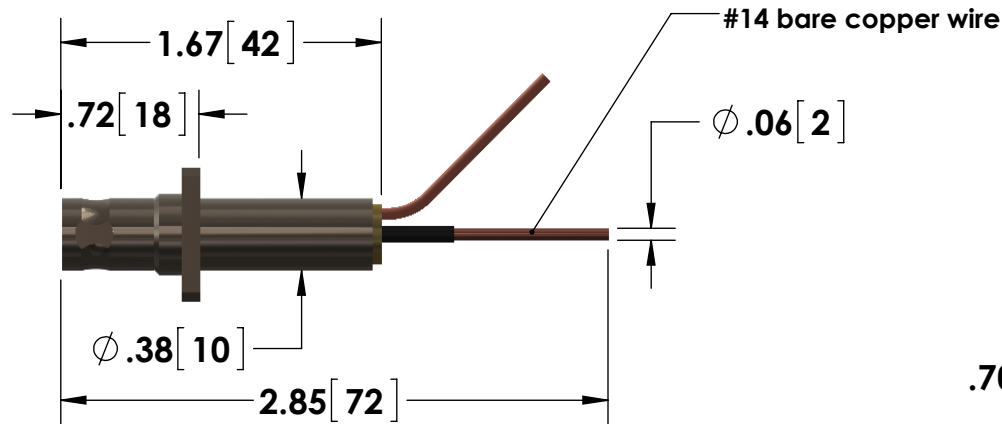
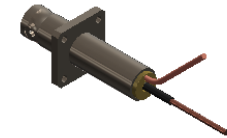


- BNC Output Connector (AMPHENOL P/N: 031-203)
- #14 Copper Wire Input Connections

### SDN/SDN-414 Models

- SDN-005 and SDN-015
- SDN-414-01 and SDN-414-05



Specifications subject to change without notice.



T & M RESEARCH PRODUCTS, INC.

TITLE:  
2 Watt SDN and SDN-414 SERIES- Short Case Body

DIMENSIONS: **inch[mm]**

DATE: **01-01-2024**